

JOB NAME \_\_\_\_\_

CONTACT \_\_\_\_\_

ORDERING CODE \_\_\_\_\_

ADA **LM-79**

ORDERING CODE		
SERIES	WALL	indoor wall sconce
TYPE	QB	QB up and down, 9.2W, 190lm up, 190lm down
CCT	30K 35K	3000K 3500K
CRI	90	90 CRI
VOLTAGE	UNV	120V-277V
DIMMING	ELV <sup>1</sup>	trailing edge dimming to 5%
FINISH	BK WH AL	black white brushed chrome

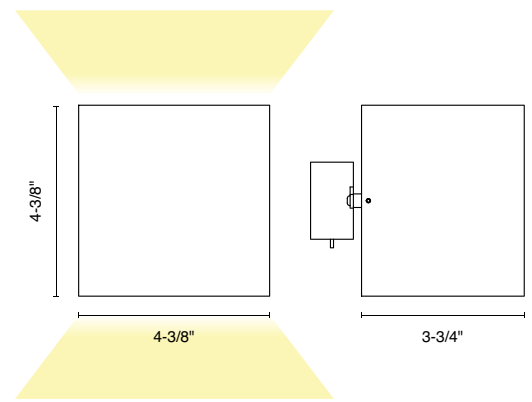
## QB Indirect Wall



ORDERING CODE \_\_\_\_\_

Follow the steps to specify your fixture, example:  
**WALL - QB - 30K - 90 - UNV - ELV - BK**

**NOTES**  
 1. ELV only available at 120V.



### DESCRIPTION

QB is an indirect LED sconce made of extruded aluminum with no visible light source from any angle. QB's clean simple cube design allows for a modern look with a warm classic glow illuminating the wall or ceiling from either opening of its body. It is offered in white, brushed chrome, and black all with bi-directional white reflector.

### HOUSING

- Extruded aluminum housing in brushed chrome, white, or black. White inner finish on all.

### MOUNTING

- Mounts to 3-1/2" to 4" recessed round junction box

### ELECTRICAL/CONTROLS

- Dimmer: Lutron DVELV-300P

### LISTINGS

- ETLus Listed to UL1598 (suitable for dry and damp locations)
- cETL Listed to CSA C22.2 #250.0
- ADA Compliant

### LED INFO

- LED: Zigen ZG6BGE-34W0S
- SDCM: 3-step MacAdam Ellipse
- Lumen Maintenance:  $L_{70} > 50,000$  hrs
- Warranty: 5 year limited warranty